

Documentation Power supply

Single-phase AC/DC power supply 24 VDC

Art.no: **1275-02436**

Non stabilized, smoothed AC/DC power supply for 24VDC

Primary voltage: 0-220-230-240 VAC

Frequency: 50-60 Hz

Secondary voltage: No load 27 VDC
80% load 24 VDC

Secondary current: 32 A

Ripple level: <7% (3,3VPP)

ta: 40°C (maximum ambient temperature)

Losses: Po 30 W , PI 126 W

Used components are UL-approved

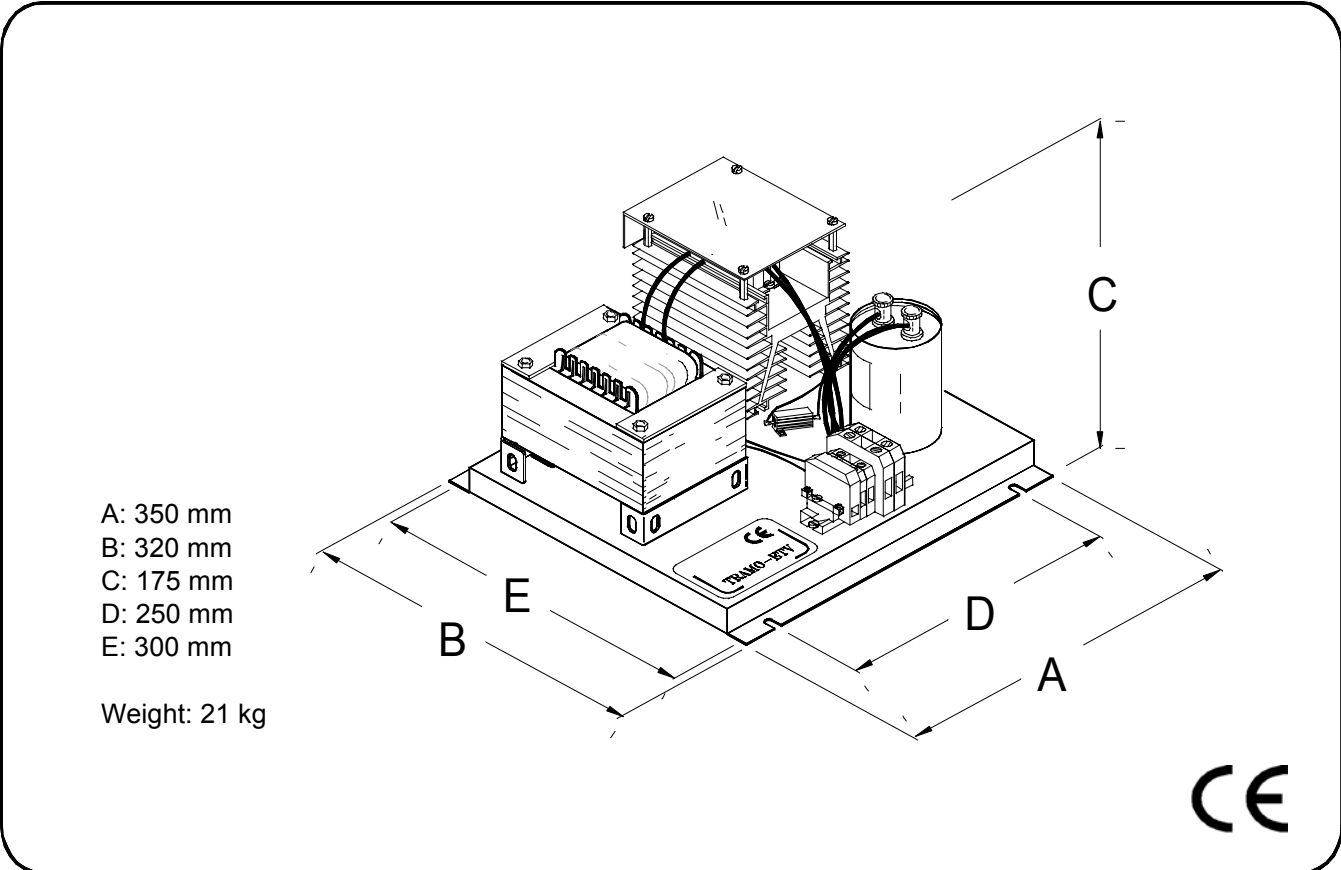
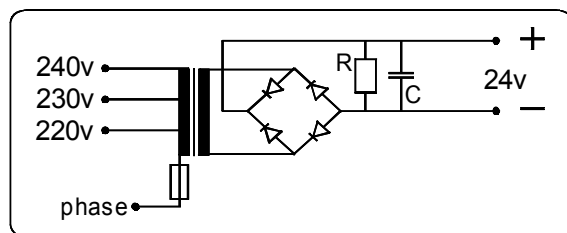
Standards: EN 61558-2-6, EN 50081-2, EN 50082-2

Manufactured by TRAMO-ETV AB , SE-241 92 ESLÖV

Type:

LOTK-32

Connecting diagram



- A: 350 mm
- B: 320 mm
- C: 175 mm
- D: 250 mm
- E: 300 mm

Weight: 21 kg

