

# Documentation Power supply

## Single-phase AC/DC power supply 12 VDC

Art.no: **1200-4050**

Type:

**LOT-312**

Non-stabilized, unsmoothed AC/DC power supply for 12VDC

Primary voltage: 0-220-230 VAC

Frequency: 50-60 Hz

Secondary voltage: 80% load 12 VDC

Secondary current: 3 A

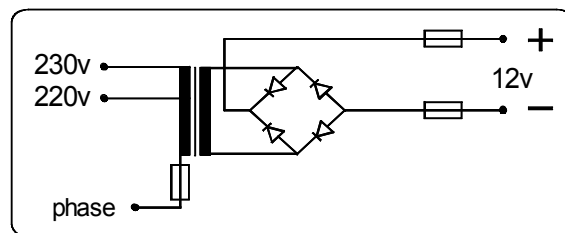
ta: 40°C (maximum ambient temperature)

Losses: Po 2,9 W , PI 11 W

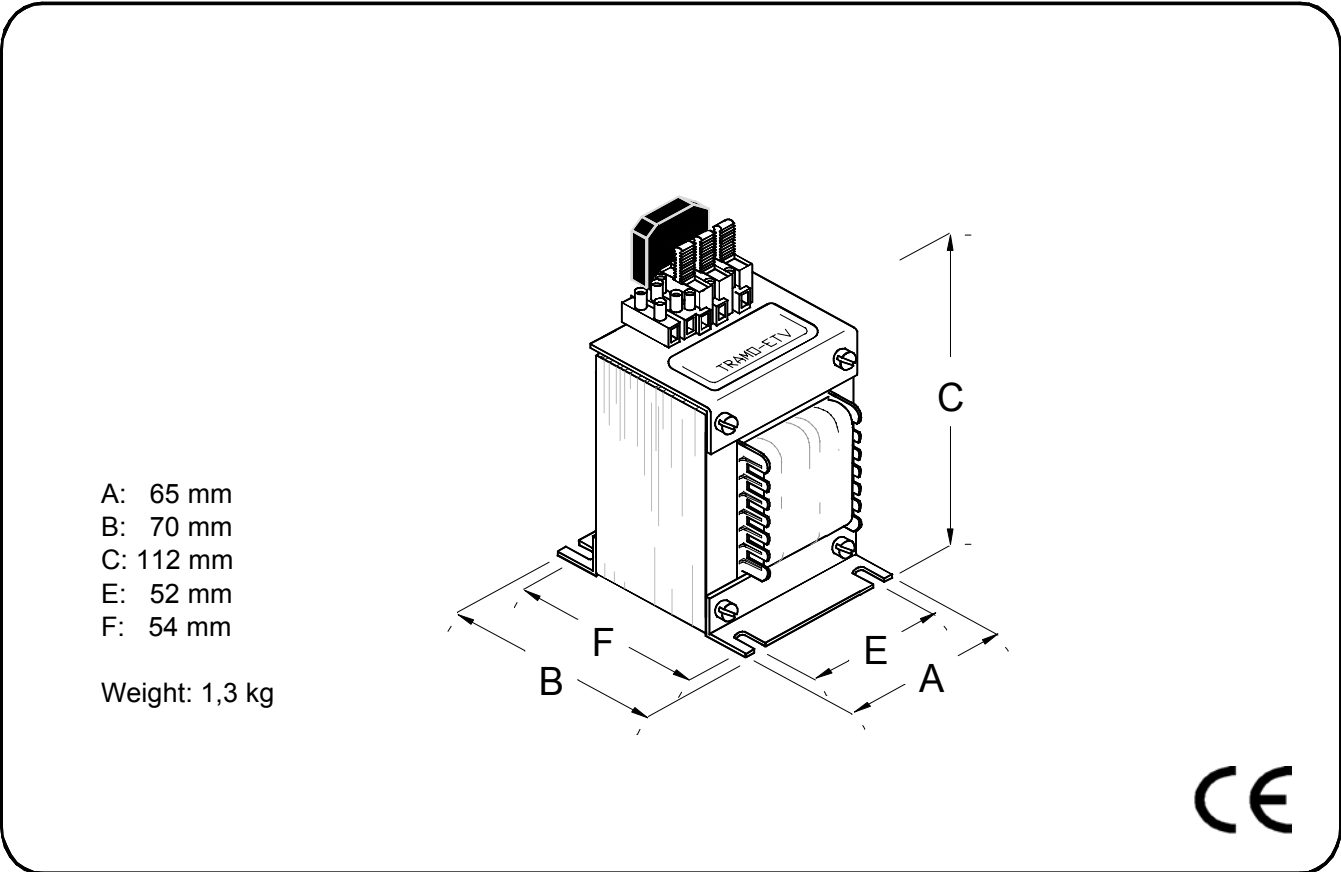
Used components are UL-approved

**Standards: EN 61558-2-6, EN 50081-2, EN 50082-2**

Connecting diagram



Manufactured by TRAMO-ETV AB , SE-241 92 ESLÖV



- A: 65 mm
- B: 70 mm
- C: 112 mm
- E: 52 mm
- F: 54 mm

Weight: 1,3 kg

