

Documentation Power supply

Single-phase AC/DC power supply 24 VDC

Art.no: **1200-3268**

Non-stabilized, unsmoothed AC/DC power supply for 24VDC

Primary voltage: 0-220-230 VAC

Frequency: 50-60 Hz

Secondary voltage: No load <26 VDC
80% load 24 VDC

Secondary current: 15 A

ta: 40°C (maximum ambient temperature)

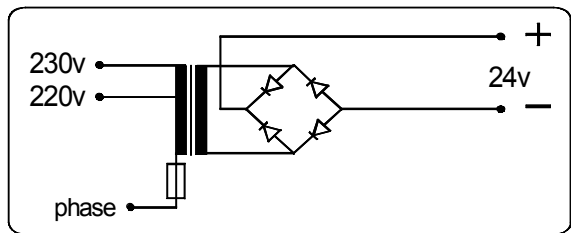
Losses: Po 15 W , PI 52 W

Used components are UL-approved

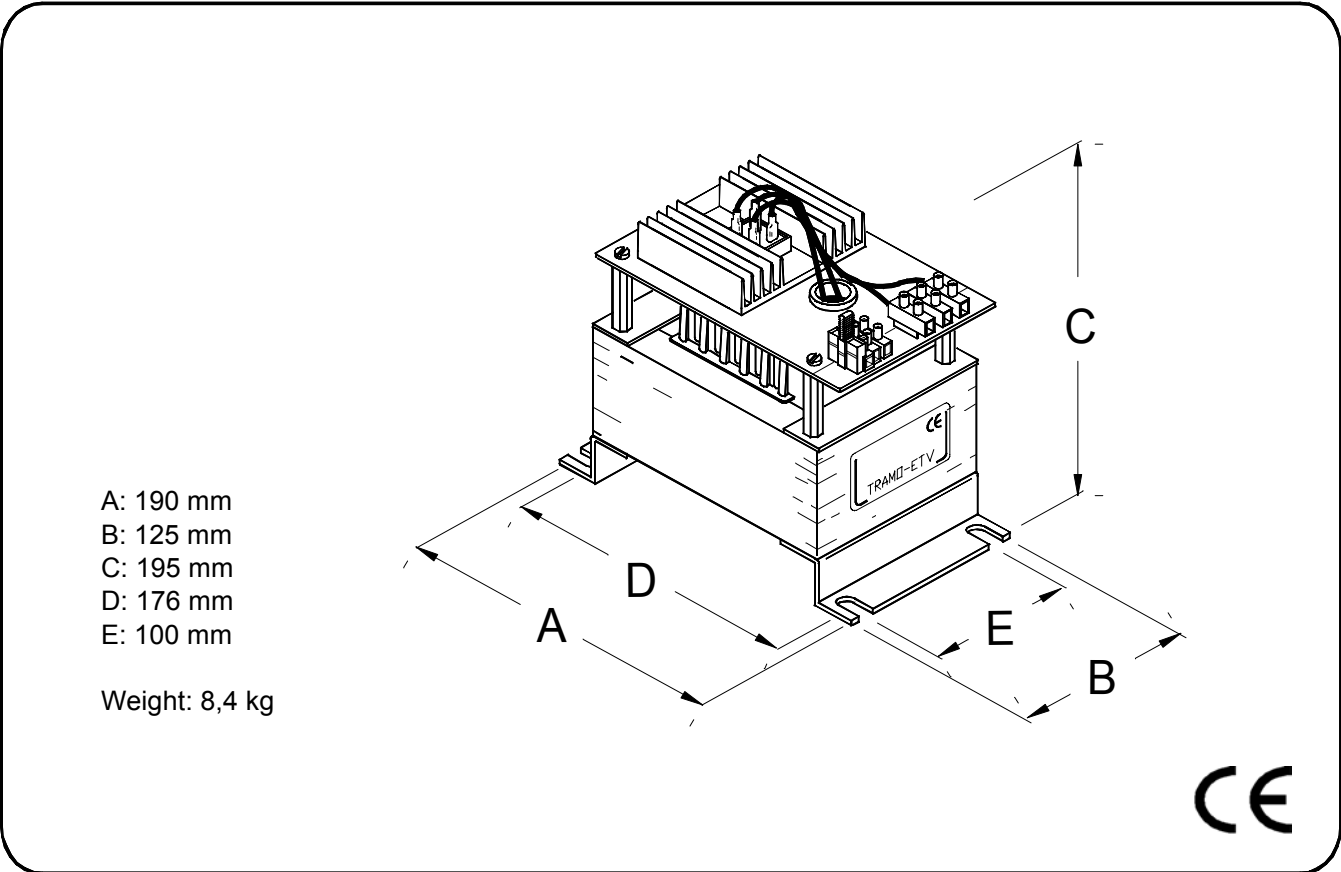
Standards: EN 61558-2-6, EN 50081-2, EN 50082-2

Type:
LOT-15

Connecting diagram



Manufactured by TRAMO-ETV AB , SE-241 92 ESLÖV



- A: 190 mm
- B: 125 mm
- C: 195 mm
- D: 176 mm
- E: 100 mm

Weight: 8,4 kg

