

GENERAL DRAWING

Single-phase transformer , open Universal mounting

Power: 125 VA
Primary voltage: On request
Secondary voltage: On request
Rated secondary voltage calculated at 80 % load
Frequency: 50-60 Hz
ta: 40°C (maximum ambient temperature)
Temperature class B, 130°C
Losses: Po 5,2 W , Pcu 12 W
uk: 10,5 %
Used components are UL-approved

Type:
OFU-125

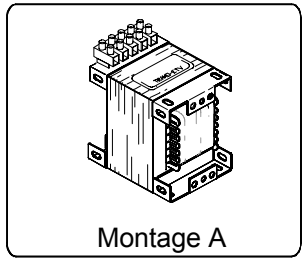
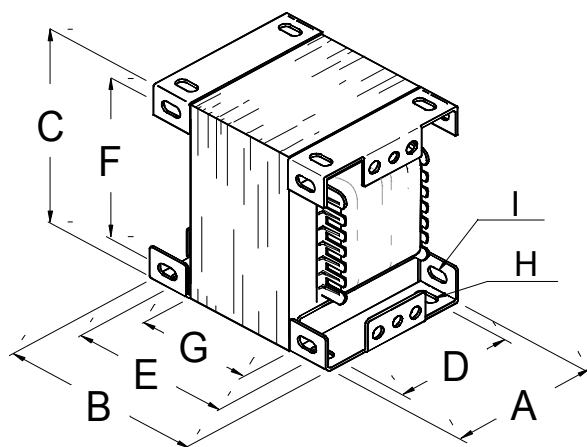
Standards:
IEC 989/EN 61558-2-1 , Separating transformers
EN 61558-2-4 , Isolating transformers
EN 61558-2-6 , Safety isolating transformers

Manufactured by TRAMO-ETV AB , SE-241 92 ESLÖV

- A: 80 mm
- B: 78 mm
- C: 97 mm
- D: 55 mm
- E: 56 mm
- F: 81 mm
- G: 36 mm
- H: 5,5x11 mm
- I: 5,5x12 mm

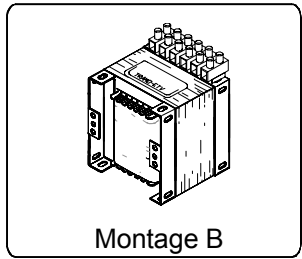
Weight: 2,2 kg

Terminalblock
will increase
dimension with
20 mm



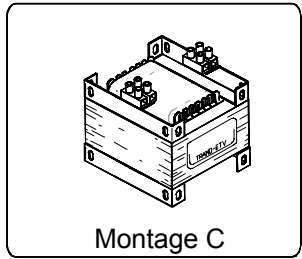
OFUA

Montage A



OFUB

Montage B



OFUC

Montage C

