

Documentation Power supply

Three-phase AC/DC power supply 24 VDC

Art.no: **1275-01352**

Non stabilized, unsmoothed AC/DC power supply for 24VDC

Primary voltage: 3x380-400 VAC

Frequency: 50-60 Hz

Secondary voltage: No load 26 VDC
80% load 24 VDC

Secondary current: 85 A

Ripple level: 8,5% (4VPP)

ta: 40°C (maximum ambient temperature)

Losses: Po 48 W , PL 209 W

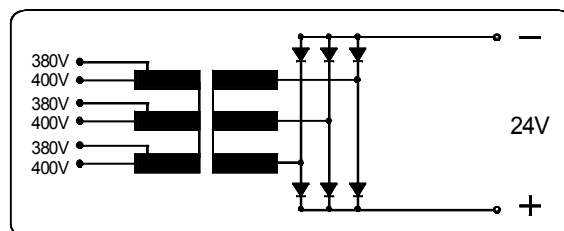
Used components are UL-approved

Standards: EN 61558-2-6, EN 50081-2, EN 50082-2

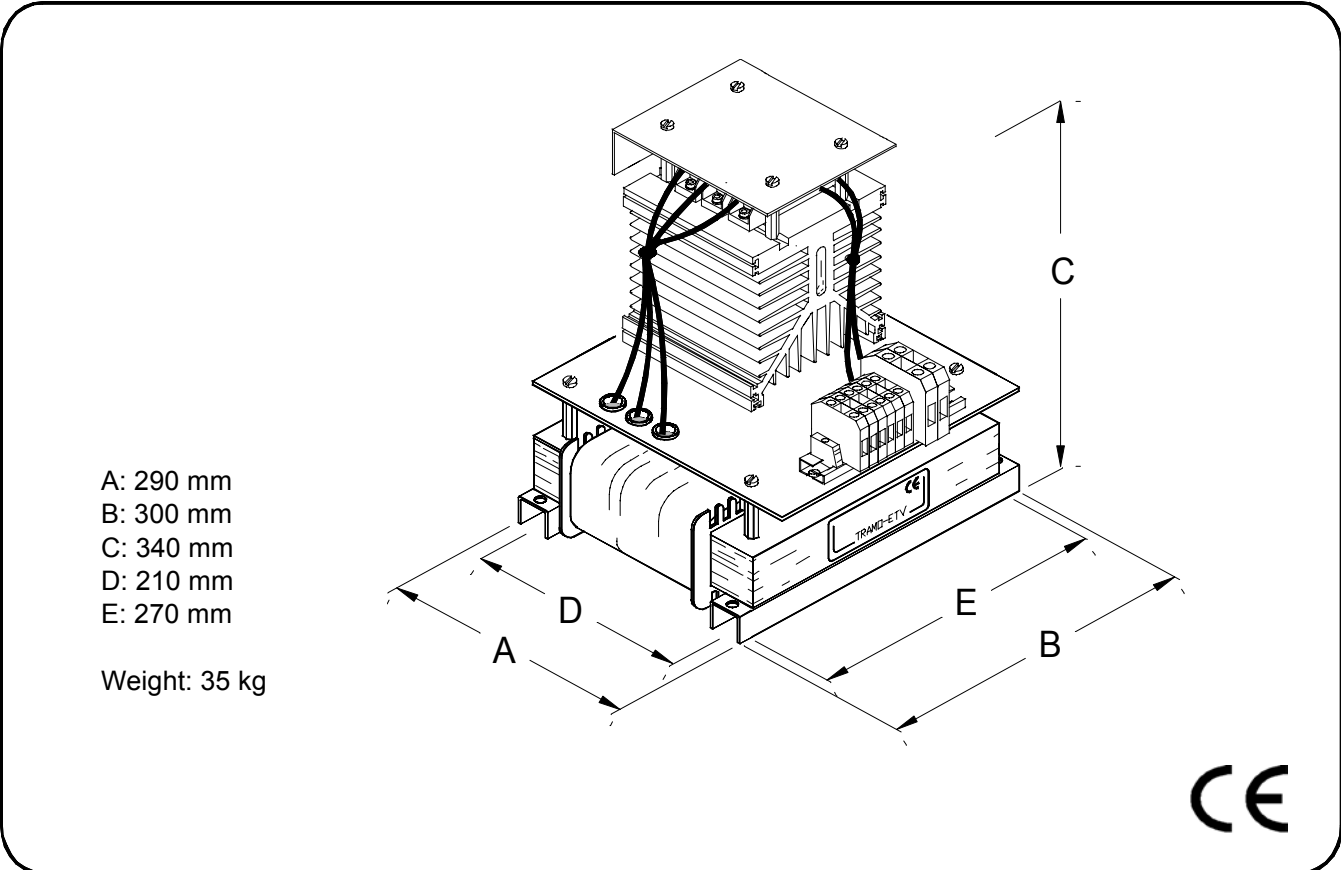
Type:

TLOT-85

Connecting diagram



Manufactured by TRAMO-ETV AB , SE-241 92 ESLÖV



A: 290 mm
B: 300 mm
C: 340 mm
D: 210 mm
E: 270 mm

Weight: 35 kg

