

Documentation Power supply

Three-phase AC/DC power supply 24 VDC

Art.no: **1275-03622**

Non stabilized, unsmoothed AC/DC power supply for 24VDC

Primary voltage: 3x380-400 VAC

Frequency: 50-60 Hz

Secondary voltage: No load 26 VDC
80% load 24 VDC

Secondary current: 70 A

Ripple level: <8,5% (4VPP)

ta: 40°C (maximum ambient temperature)

Losses: Po 35 W , PI 180 W

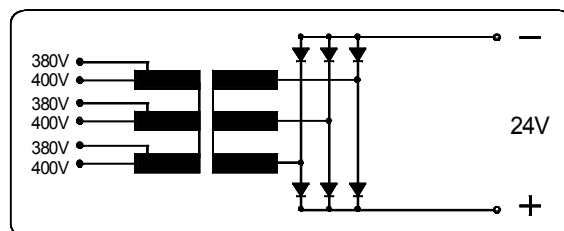
Used components are UL-approved

Standards: EN 61558-2-6, EN 50081-2, EN 50082-2

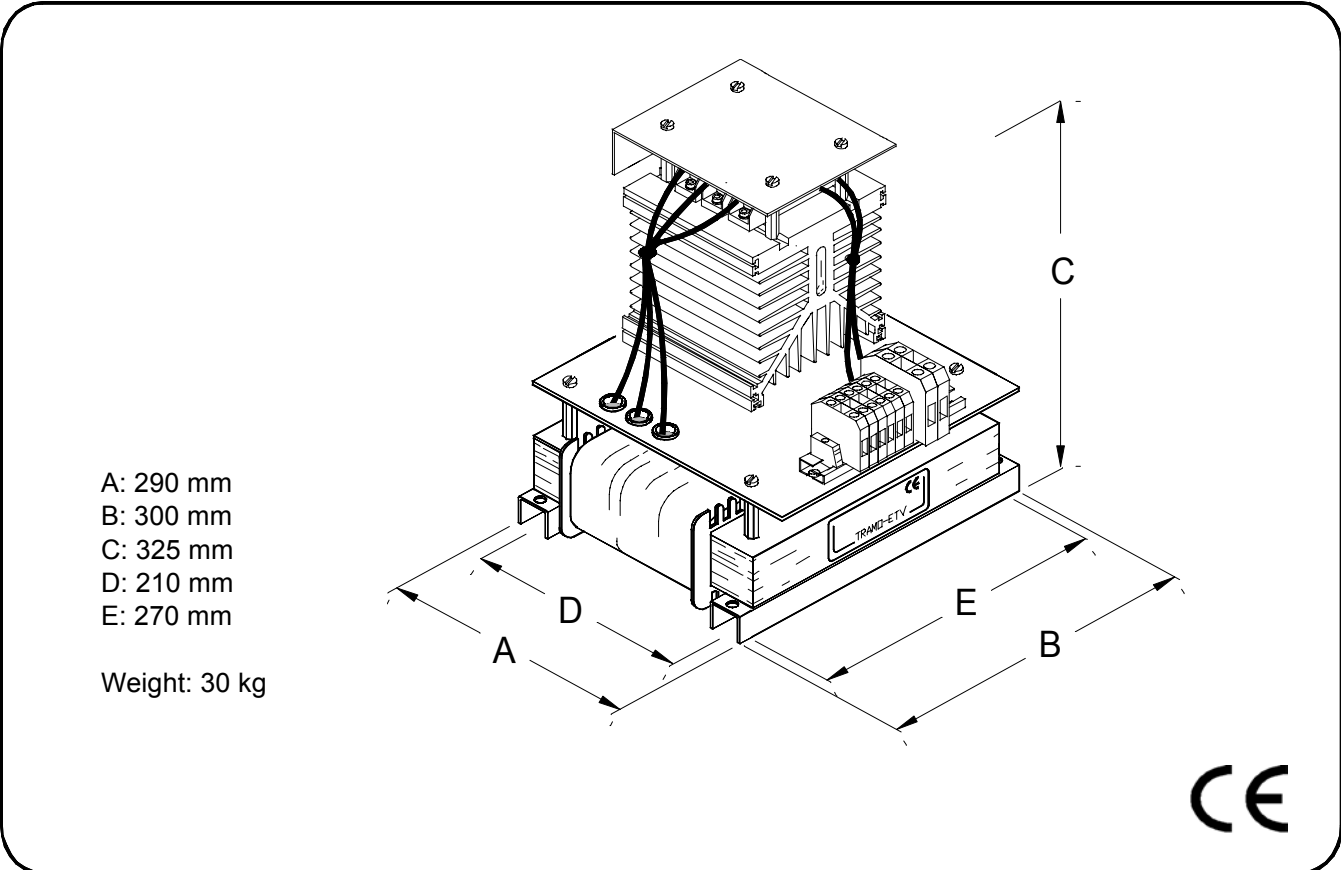
Type:

TLOT-70

Connecting diagram



Manufactured by TRAMO-ETV AB , SE-241 92 ESLÖV



- A: 290 mm
- B: 300 mm
- C: 325 mm
- D: 210 mm
- E: 270 mm

Weight: 30 kg

