

Documentation Power supply

**Three-phase AC/DC power supply  
24 VDC**

Art.no: **1275-3275**

Non stabilized, unsmoothed AC/DC power supply for 24VDC

Primary voltage: 3x380-400 VAC

Frequency: 50-60 Hz

Secondary voltage: No load 26,5 VDC  
80% load 24 VDC

Secondary current: 15 A

Ripple level: 8,5% (4VPP)

ta: 40°C (maximum ambient temperature)

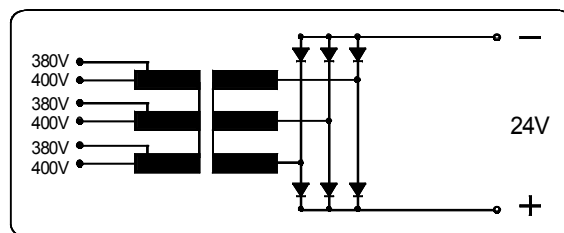
Losses: Po 11,5 W , PI 53 W

Used components are UL-approved

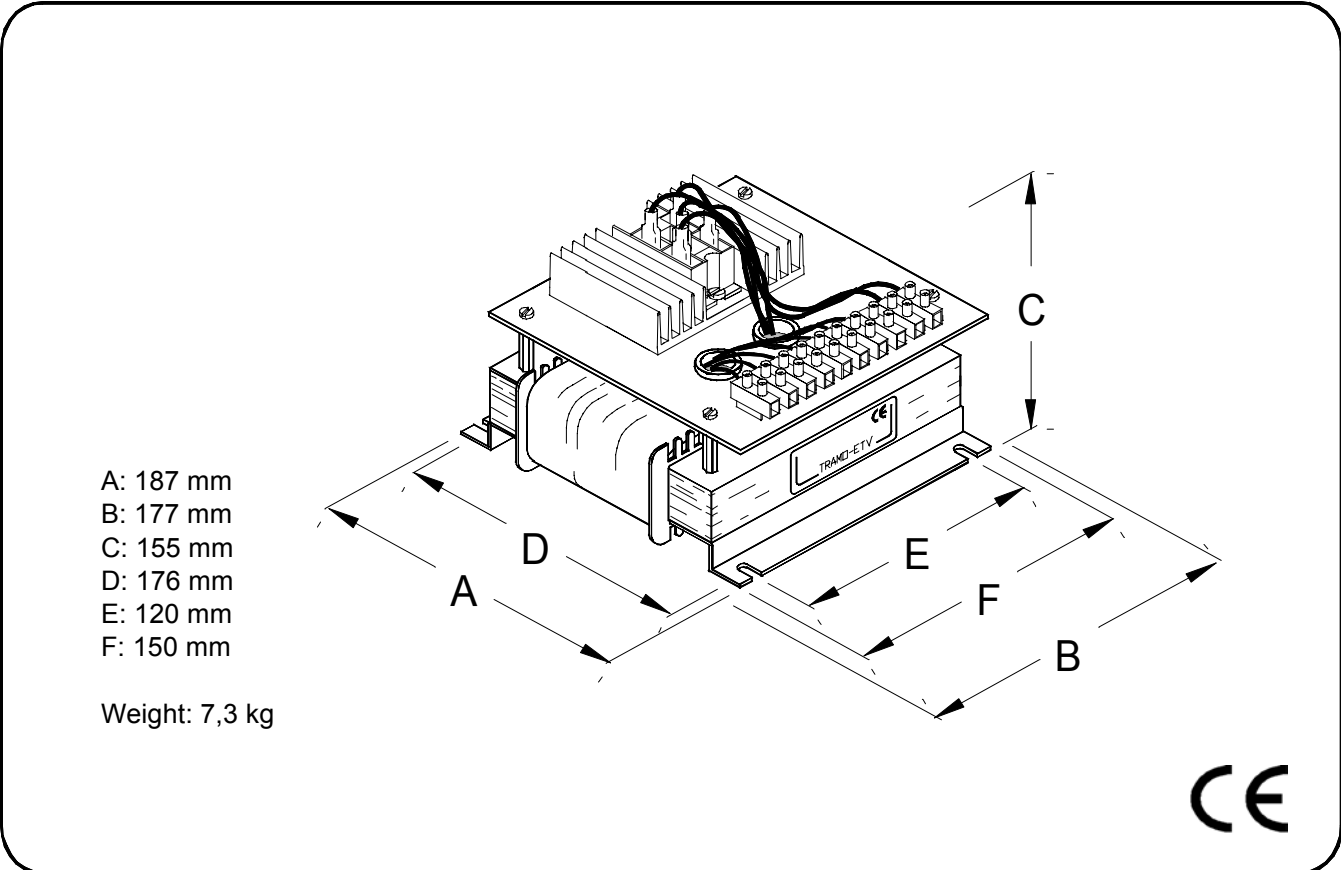
**Standards: EN 61558-2-6, EN 50081-2, EN 50082-2**

Type:  
**TLOT-15**

Connecting diagram



Manufactured by TRAMO-ETV AB , SE-241 92 ESLÖV



- A: 187 mm
- B: 177 mm
- C: 155 mm
- D: 176 mm
- E: 120 mm
- F: 150 mm

Weight: 7,3 kg

