

# GENERAL DRAWING

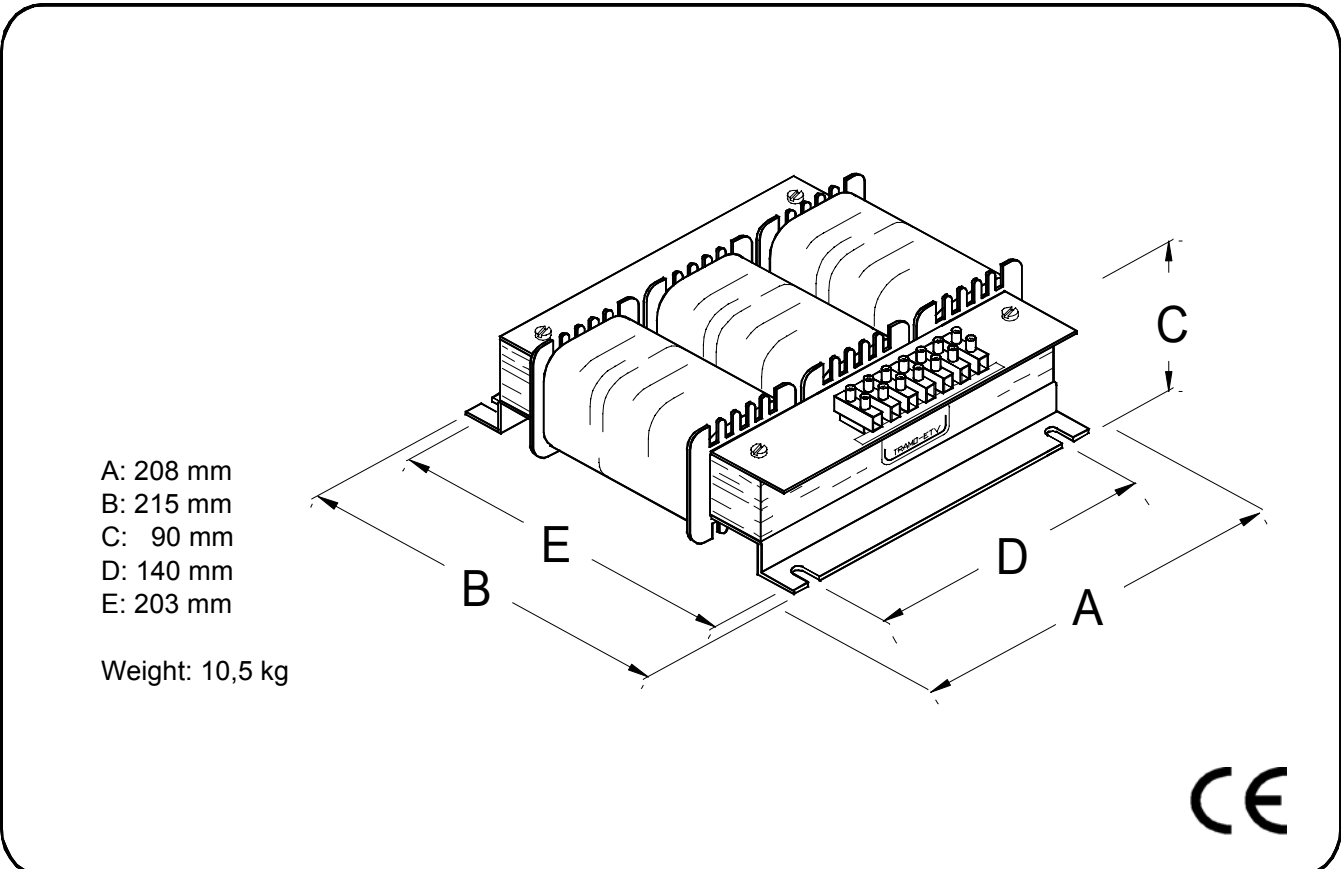
## Three-phase transformer, open

Power: 0,8 kVA  
Primary voltage: On request  
Secondary voltage: On request  
Vector group: Dyn-11, or other on request  
Connecting: Terminalblock  
Rated secondary voltage calculated at 80 % load  
Frequency: 50-60 Hz  
ta: 40°C (maximum ambient temperature)  
Temperature class B, 130°C  
Losses: Po 19 W , Pcu 50 W  
uk: 6,0 %  
Used components are UL-approved

Type:  
**TOFL-0,8**

**Standards:**  
**IEC 989/EN 61558-2-1 , Separating transformers**  
**EN 61558-2-4 , Isolating transformers**  
**EN 61558-2-6 , Safety isolating transformers**

Manufactured by TRAMO-ETV AB , SE-241 92 ESLÖV



A: 208 mm  
B: 215 mm  
C: 90 mm  
D: 140 mm  
E: 203 mm

Weight: 10,5 kg

