

# GENERAL DRAWING

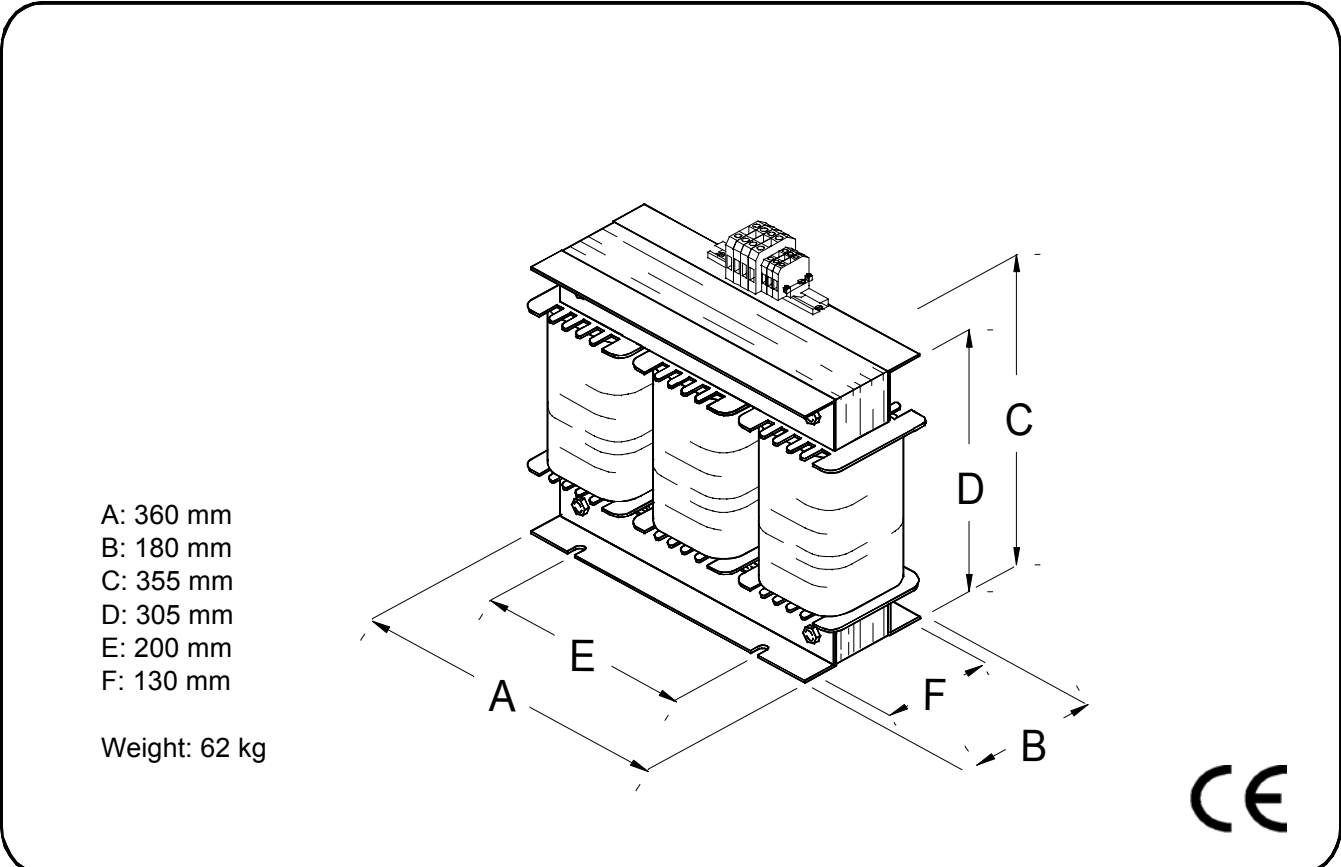
## Three-phase transformer, open

Power: 6,5 kVA  
Primary voltage: On request  
Secondary voltage: On request  
Vector group: Dyn-11, or other on request  
Connecting: Terminalblock alt. cable shoe  
Rated secondary voltage calculated at 80 % load  
Frequency: 50-60 Hz  
ta: 40°C (maximum ambient temperature)  
Temperature class B, 130°C  
Losses: Po 103 W , Pcu 150 W  
uk: 2,5 %  
Used components are UL-approved

Type:  
**TOFS-6,5**

**Standards:**  
**IEC 726 / HD464 , Power transformers**  
**EN 61558-2-4 , Isolating transformers**  
**EN 61558-2-6 , Safety isolating transformers**

Manufactured by TRAMO-ETV AB , SE-241 92 ESLÖV



A: 360 mm  
B: 180 mm  
C: 355 mm  
D: 305 mm  
E: 200 mm  
F: 130 mm

Weight: 62 kg