

Documentation Power supply

**Three-phase AC/DC power supply
24 VDC**

Art.no: **52 481 19**

Non stabilized, smoothed AC/DC power supply for 24VDC

Primary voltage: 3x380-400 VAC

Frequency: 50-60 Hz

Secondary voltage: No load 27 VDC
80% load 24 VDC

Secondary current: 50 A

Ripple level: 1,8% (0,85VPP)

ta: 40°C (maximum ambient temperature)

Losses: Po 33 W , PI 135 W

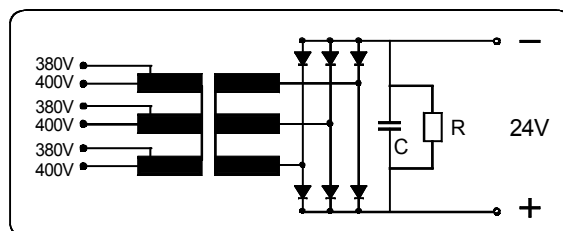
Used components are UL-approved

Standards: EN 61558-2-6, EN 50081-2, EN 50082-2

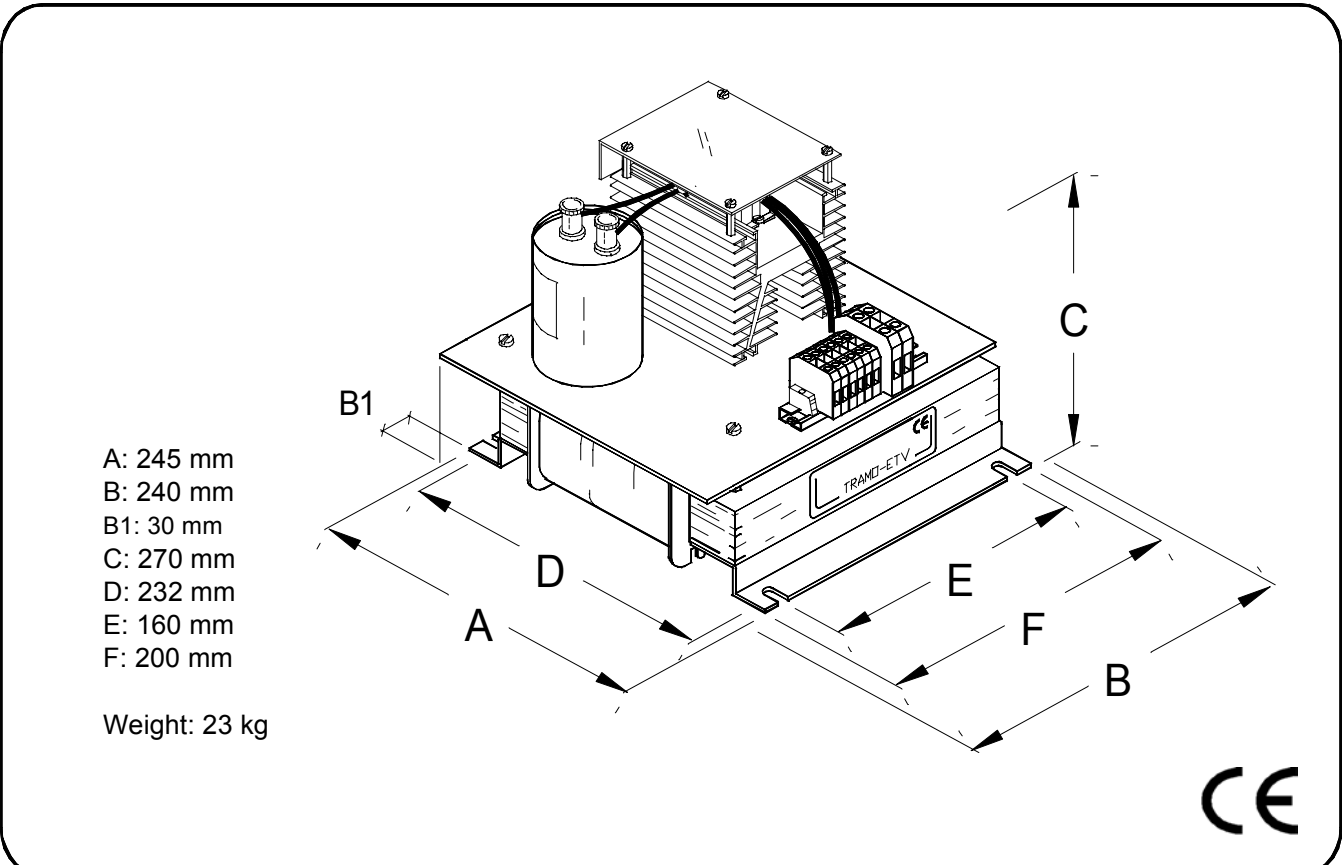
Type:

TLOTK-50

Connecting diagram



Manufactured by TRAMO-ETV AB , SE-241 92 ESLÖV



- A: 245 mm
- B: 240 mm
- B1: 30 mm
- C: 270 mm
- D: 232 mm
- E: 160 mm
- F: 200 mm

Weight: 23 kg

