

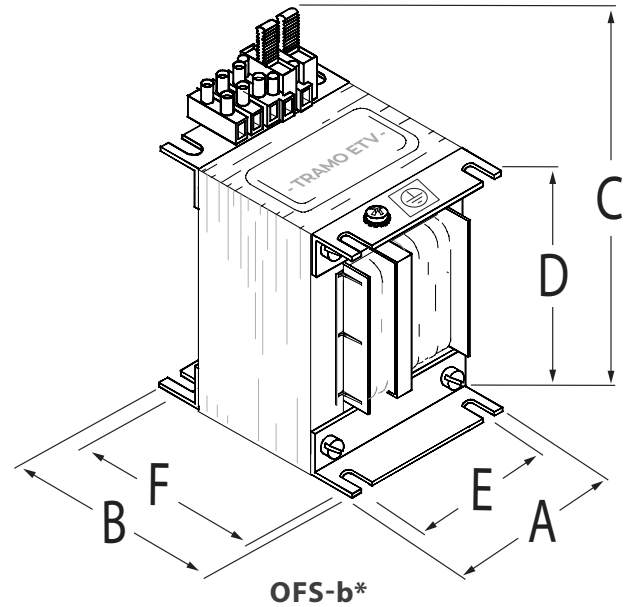
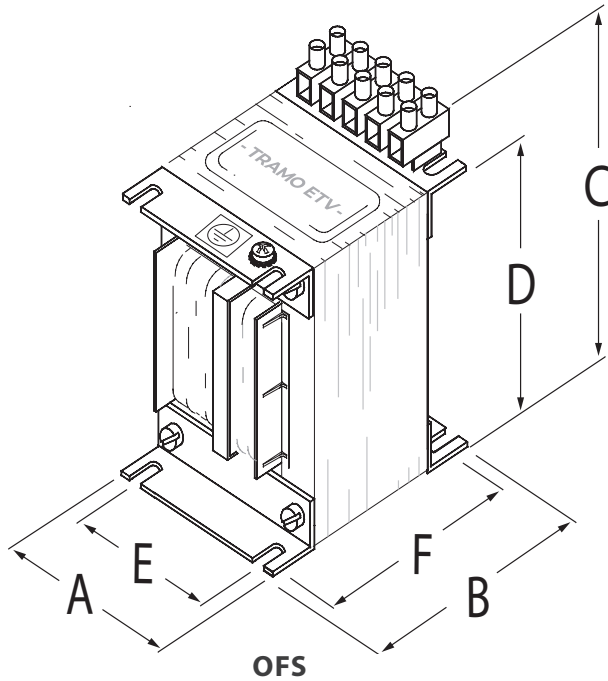
# TRAMO

## 1-phase standing full transformer for installation in control cabinets, unshielded design – IP00

Available with 1 or 2 fuses.

All included components are UL approved.

Standards	EN61558-2-1   EN61558-2-4 EN61558-2-6   IEC726   CE
Primary voltage	230 VAC
Secondary voltage	24 VAC
Rated secondary voltage is calculated for 80% load.	
Normal frequency	50-60 Hz
Maximum ambient temperature	40°C
Temperature class (temperature rise)	B (130°C)
Connection	Terminal block alt. cable lugs or free outlet cables



Power VA	E-nr Art nr	Uk %	Po W	Pcu W	Secondary current A	A mm	B mm	C mm	D mm	E mm	F mm	Weight kg
15	1200-2818	12,5	1,1	2,3	0,62	50	48	85	60	35	38	0,55
25	52 081 99	11,5	2,2	3,5	1,04	50	58	85	60	35	48	0,8
25	52 081 99b*	11,5	2,2	3,5	1,04	50	58	92	60	35	48	0,8
50	52 082 00	11	2,9	5,8	2,08	65	66	103	78	52	52	1,25
50	52 082 01b*	11	2,9	5,8	2,08	65	66	113	78	52	52	1,25
75	52 082 02	12	3,4	9	3,13	70	64	109	84	56	54	1,5
75	52 082 03*	12	3,4	9	3,13	70	64	119	84	56	54	1,5
100	52 082 04	9	5	9	4,17	70	78	109	84	56	68	1,9
100	52 082 05*	9	5	9	4,17	70	78	119	84	56	68	1,9
150	52 082 06	9	6,5	12	6,25	80	85	120	96	55	72	2,7
150	52 082 07b*	9	6,5	12	6,25	80	85	130	96	55	72	2,7
200	52 082 08	13	7	17	8,33	100	75	150	120	67	58	3,3
250	52 082 10	10	9	18	10,4	100	90	150	120	67	70	4,2
300	52 082 12	8,5	12	19	12,5	100	100	150	120	67	82	5,1
360	52 082 14	7,5	13	20	15	100	110	150	120	67	90	5,9

\*Products with the designation "a" are supplied with a single-pole secondary fuse

\*Products with the designation "b" are supplied with a double-pole secondary fuse

**N.B. Dimensions and weights are preliminary and will be confirmed upon order**

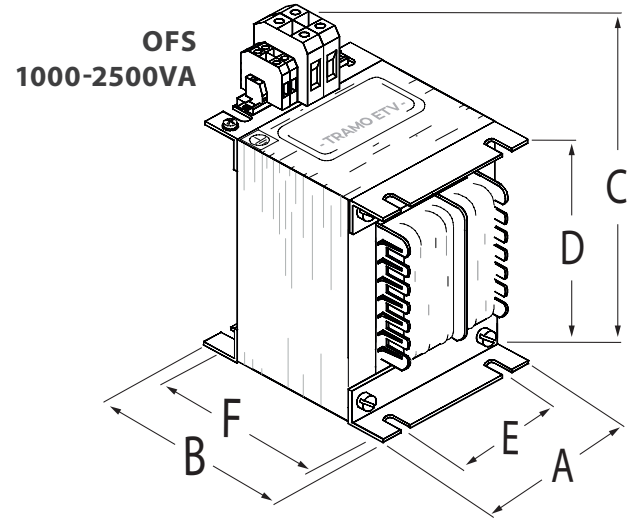
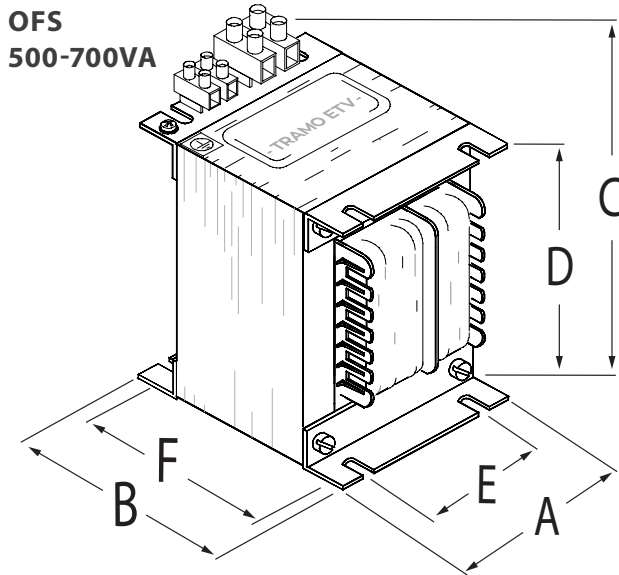
# TRAMO

## 1-phase standing full transformer for installation in control cabinets, unshielded design – IP00

Available with 1 or 2 fuses.

All included components are UL approved.

Standards	EN61558-2-1   EN61558-2-4 EN61558-2-6   IEC726   CE
Primary voltage	230 VAC
Secondary voltage	24 VAC
Rated secondary voltage is calculated for 80% load.	
Normal frequency	50-60 Hz
Maximum ambient temperature	40°C
Temperature class (temperature rise)	B (130°C)
Connection	Terminal block alt. cable lugs or free outlet cables



Power VA	E-nr Art nr	Uk %	Po W	Pcu W	Secondary current A	A mm	B mm	C mm	D mm	E mm	F mm	Weight kg
500	52 082 16	10	13	24	20,8	125	110	185	150	88	80	7,8
700	52 082 18	9	19	28	29,2	125	125	185	150	88	97	9,9
1000	52 082 20	11	25	35	41,7	150	145	255	180	110	96	14,3
1200	52 082 21	10	28	37	50	150	160	255	180	110	111	17,2
1400	52 082 22	9	33	40	58,3	150	175	260	180	110	126	20,4
2000	1200-0444	4,5	33	95	83	200	130	325	255	120	93	21
2500	1200-0454	4	40	105	104	200	143	325	255	120	106	25

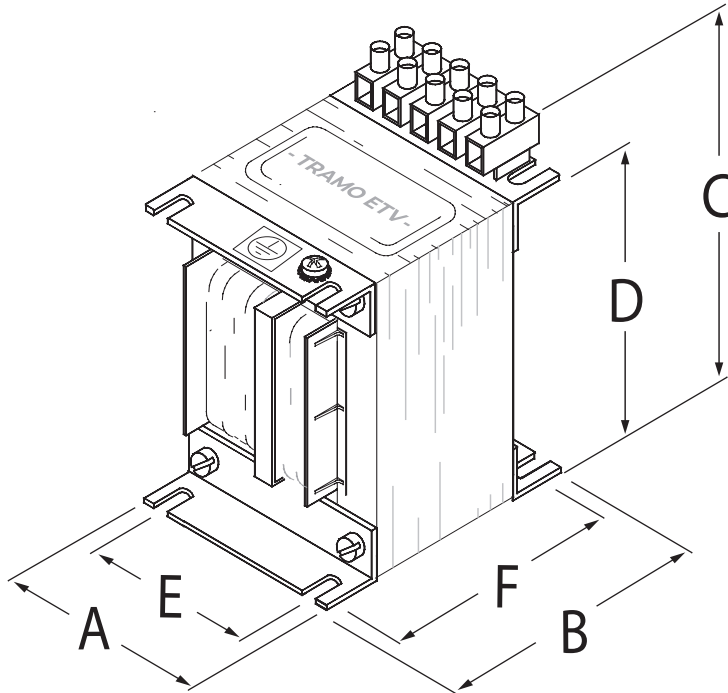
N.B. Dimensions and weights are preliminary and will be confirmed upon order

# TRAMO

## 1-phase standing full transformer for installation in control cabinets, unshielded design – IP00

Available with 1 or 2 fuses.

All included components are UL approved.



Standards	EN61558-2-1   EN61558-2-4 EN61558-2-6   IEC726   CE
Primary voltage	230 VAC
Secondary voltage	24 VAC
Rated secondary voltage is calculated for 80% load.	
Normal frequency	50-60 Hz
Maximum ambient temperature	40°C
Temperature class (temperature rise)	B (130°C)
Connection	Terminal block alt. cable lugs or free outlet cables

Power VA	E-nr Art nr	Uk %	Po W	Pcu W	Secondary current A	A mm	B mm	C mm	D mm	E mm	F mm	Weight kg
50	52 086 00	11	2,9	5,8	0,4	50	65	66	103	78	52	5
100	52 086 04	9	5	9	0,8	100	70	78	109	84	56	5,5
150	52 086 06	9	6,5	12	1,3	150	80	85	120	96	55	5,5
250	52 086 10	10	9	18	2,1	250	100	90	150	120	67	7
500	52 086 16	10	13	24	4,3	500	125	108	180	150	88	7

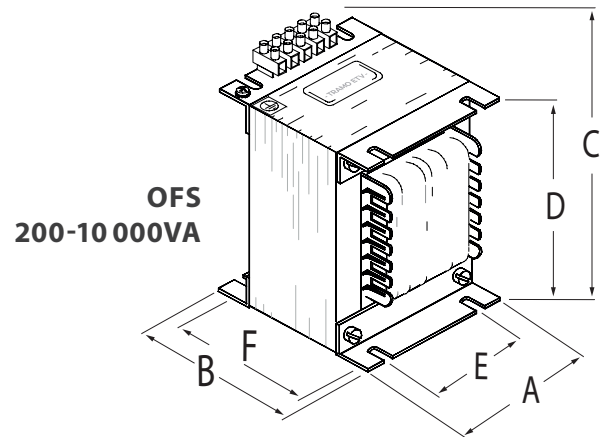
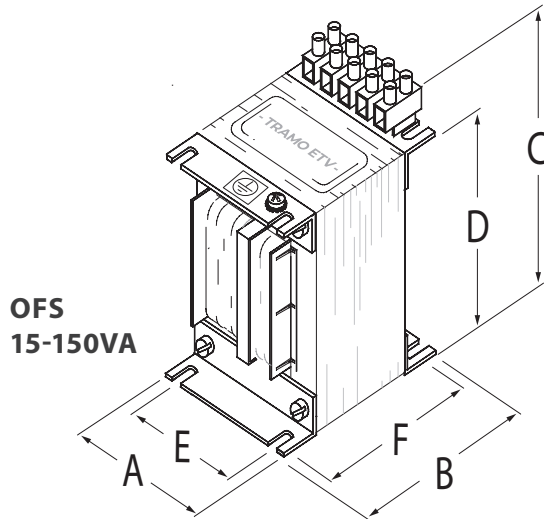
N.B. Dimensions and weights are preliminary and will be confirmed upon order

# TRAMO

## 1-phase standing full transformer for installation in control cabinets, unshielded design – IP00

Available with 1 or 2 fuses.

All included components are UL approved.



Standards	IEC 989/EN 61558-2-1
Primary voltage	400 VAC
Secondary voltage	230 VAC
Rated secondary voltage is calculated for 80% load	
Normal frequency	50-60 Hz
Maximum ambient temperature	40°C
Temperature class (temperature rise)	B (130°C)
Connection	Terminalblock alt. cable lugs or free outlet cables

Power VA	E-nr Art nr	Uk %	Po W	Pcu W	Secondary current A	A mm	B mm	C mm	D mm	E mm	F mm	Weight kg
15	1200-2834	12,5	1,1	2,3	0,06	50	48	85	60	35	38	0,55
25	1200-2835	11,5	2,2	3,5	0,1	50	58	85	60	35	48	0,8
50	52 088 20	11	2,9	5,8	0,22	65	66	103	78	52	52	1,25
75	52 088 22	12	3,4	9	0,33	70	64	109	84	56	54	1,5
100	52 088 24	9	5	9	0,43	70	78	109	84	56	68	1,9
125	1200-2866	9	5	12	0,54	80	75	120	96	55	62	2,2
150	52 088 26	9	6,5	12	0,65	80	85	120	96	55	72	2,7
200	52 088 28	9	7	17	0,87	100	75	150	120	67	58	3,3
250	52 088 30	7	9	18	1,09	100	90	150	120	67	70	4,2
300	52 088 32	6	12	19	1,3	100	100	150	120	67	82	5,1
360	52 088 34	5,2	13	20	1,57	100	110	150	120	67	90	5,9
500	52 088 36	5	15	26	2,17	125	110	180	150	88	80	7,8
700	52 088 38	4	19	28	3,04	125	125	185	150	88	97	9,9
1000	52 088 40	3,6	25	35	4,35	150	135	210	180	110	96	14,3
1200	1200-2846	10	28	37	5,2	150	150	210	180	110	111	17,2
1400	52 088 42	3	33	40	6,09	150	165	210	180	110	126	20
2000	1200-0450	4,5	30	100	8,6	200	130	310	255	120	93	19
2500	1200-0460	4	40	100	10,8	200	143	310	255	120	106	23
3000	14182	2,9	40	105	13	200	155	310	255	120	118	27
3500	15288	2,6	47	130	15,2	200	170	310	255	120	123	31
4000	1200-0486	2,8	52	132	17,3	240	155	355	305	145	115	35
5000	10972	2,3	60	140	21,7	240	170	355	305	145	130	40
6000	15772	2,1	78	160	26	240	190	355	305	145	145	46
7000	13912	2,1	85	175	30,4	280	175	420	355	170	135	55
8500	15773	1,8	105	205	36,9	280	190	420	355	170	150	63
10 000	1200-4343	1,6	120	200	43,4	280	205	420	355	170	165	72

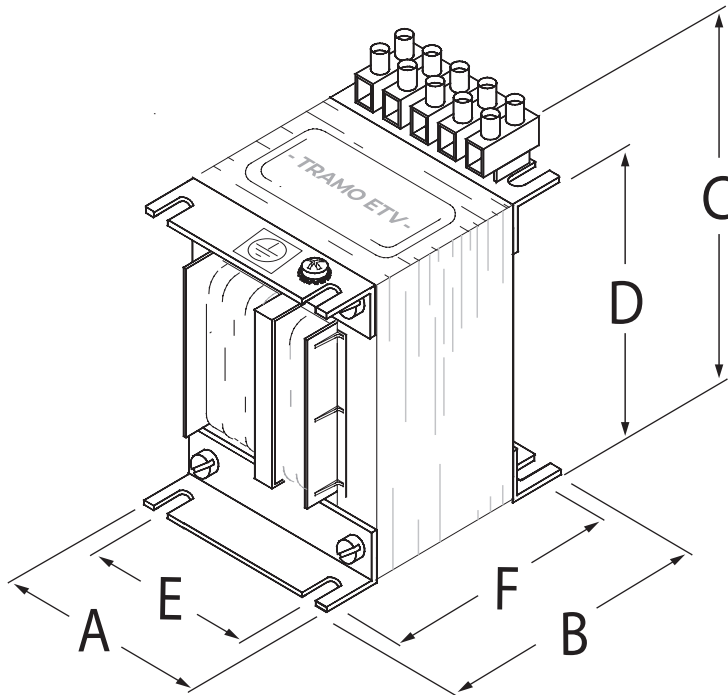
N.B. Dimensions and weights are preliminary and will be confirmed upon order

# TRAMO

## 1-phase standing full transformer for installation in control cabinets, unshielded design – IP00

Available with 1 or 2 fuses.

All included components are UL approved.



Standards	EN61558-2-1   EN61558-2-4 EN61558-2-6   IEC726   CE
Primary voltage	400 VAC
Secondary voltage	24 VAC
Rated secondary voltage is calculated for 80% load	
Normal frequency	50-60 Hz
Maximum ambient temperature	40°C
Temperature class (temperature rise)	B (130°C)
Connection	Terminalblock alt. cable lugs or free outlet cables

Power VA	E-nr Art nr	Uk %	Po W	Pcu W	Secondary current A	A mm	B mm	C mm	D mm	E mm	F mm	Weight kg
25	1200-3615	11,5	2,2	3,5	1,04	50	58	85	60	35	48	0,8
50	1200-3403	11	2,9	6	2,08	65	66	103	78	52	52	1,25
100	1200-3404	9	5	9	4,17	70	78	109	84	56	68	1,9
150	1200-3835	9	6,5	12	6,25	80	85	120	96	55	72	2,7

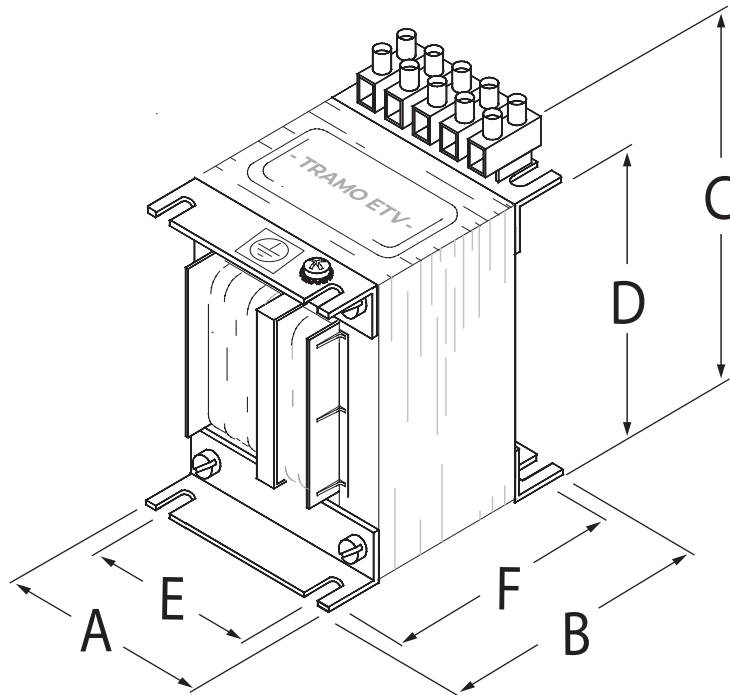
N.B. Dimensions and weights are preliminary and will be confirmed upon order

# TRAMO

## 1-phase standing full transformer for installation in control cabinets, unshielded design – IP00

Available with 1 or 2 fuses.

All included components are UL approved.



Standard	EN61558-2-1   EN61558-2-4 EN61558-2-6   IEC726   CE
Primary voltage	525 VAC
Secondary voltage	230 VAC
Rated secondary voltage is calculated for 80% load	
Normal frequency	50-60 Hz
Maximum ambient temperature	40°C
Temperature class (temperature rise)	B (130°C)
Connection	Terminalblock alt. cable lugs or free outlet cables

Power VA	E-nr Art nr	Uk %	Po W	Pcu W	Secondary current A	A mm	B mm	C mm	D mm	E mm	F mm	Weight kg
50	52 088 50	11	2,9	5,8	0,22	50	65	66	103	78	52	1,25
100	52 088 54	9	5	9	0,43	100	70	78	109	84	56	1,9
150	52 088 56	9	6,5	12	0,65	150	80	85	120	96	55	2,7
250	52 088 60	7	7	18	1,09	250	100	90	150	120	67	4,2
500	52 088 66	5	15	26	2,17	500	125	108	180	150	88	7,8
1000	52 088 70	3,6	25	35	4,35	1000	150	135	210	180	110	14,3

N.B. Dimensions and weights are preliminary and will be confirmed upon order

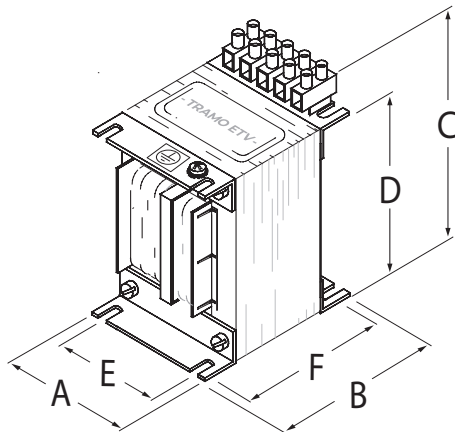
# TRAMO

## 1-phase standing full transformer for installation in control cabinets, unshielded design – IP00

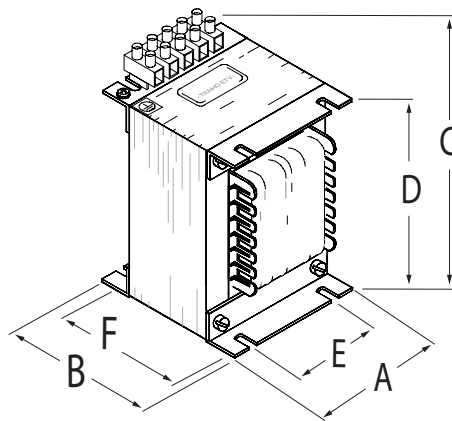
Available with 1 or 2 fuses.

All included components are UL approved.

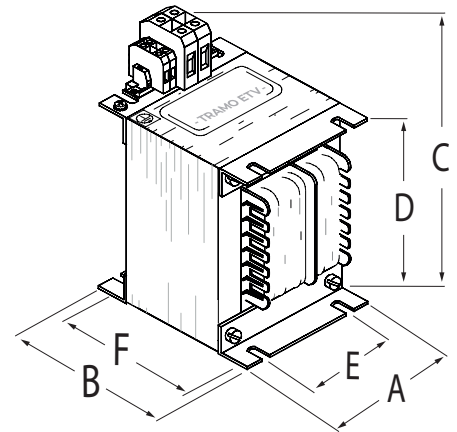
Standards	EN 61558-2-6
Primary voltage	400-420-440-460-480-500 VAC
Secondary voltage	24 alt. 48 VAC
Rated secondary voltage is calculated for 80% load	
Normal frequency	50-60 Hz
Maximum ambient temperature	40°C
Temperature class (Temperature rise)	B (130°C)
Connection	Terminalblock alt. cable lugs or free outlet cables



OFS 50VA



OFS 100-500VA



OFS 1000VA

Power VA	E-nr Art nr	Uk %	Po W	Pcu W	A mm	B mm	C mm	D mm	E mm	F mm	Weight kg
50	50224	12	2,8	6,5	65	66	103	78	52	52	1,25
100	100224	9,7	4,9	10	70	78	109	84	56	68	1,9
250	250224	10,3	9	20	100	90	150	120	67	70	4,2
500	500224	10	15	27	125	108	180	150	88	80	7,8
1000	1000224	11	25	38	150	135	245	180	110	96	14,3

N.B. Dimensions and weights are preliminary and will be confirmed upon order

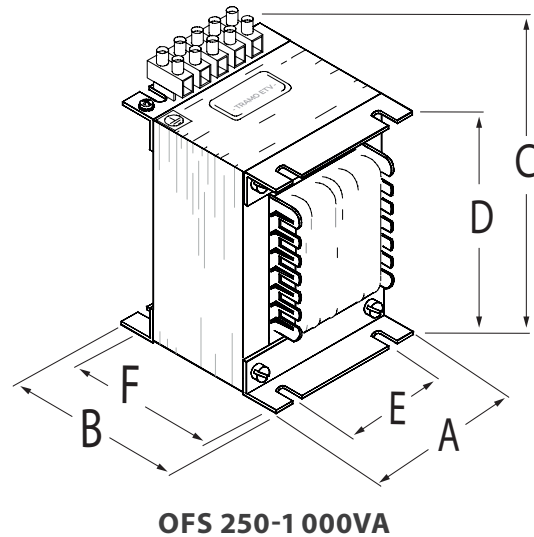
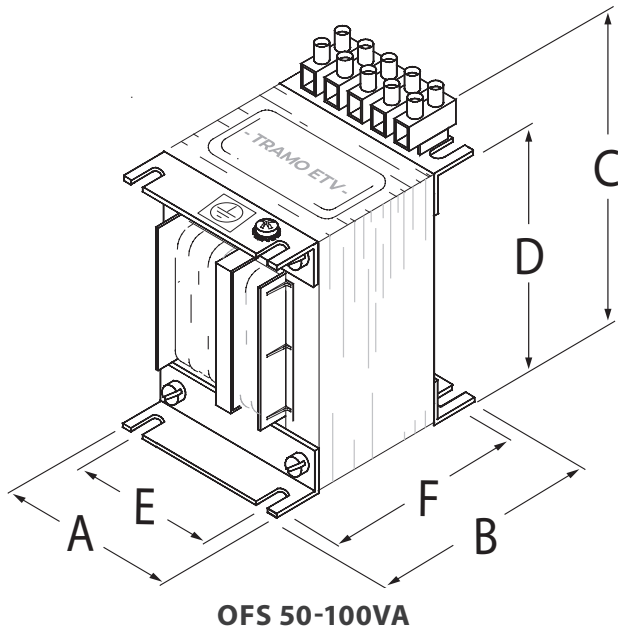
# TRAMO

## 1-phase standing full transformer for installation in control cabinets, unshielded design – IP00

Available with 1 or 2 fuses.

All included components are UL approved.

Standard	IEC 989/EN 61558-2-1
Primary voltage	400-420-440-460-480-500 VAC
Secondary voltage	115 alt. 230 VAC
Rated secondary voltage is calculated for 80% load	
Normal frequency	50-60 Hz
Maximum ambient temperature	40°C
Temperature class (Temperature rise)	B (130°C)
Connection	Terminalblock alt. cable lugs or free outlet cables



Power VA	E-nr Art nr	Uk %	Po W	Pcu W	A mm	B mm	C mm	D mm	E mm	F mm	Weight kg
50	502115	12	2,8	6,5	65	66	103	78	52	52	1,25
100	1002115	9,7	4,9	10	70	78	109	84	56	68	1,9
250	2502115	7,5	9	20,5	100	90	150	120	67	70	4,2
500	5002115	5,2	15	27	125	108	180	150	88	80	7,8
1000	10002115	4	25	38	150	135	210	180	110	96	14,3

N.B. Dimensions and weights are preliminary and will be confirmed upon order